

# Lippa LPFMR02 FM Emergency Radio with Hand Crank, Solar Panel, Power Bank 4500mAh

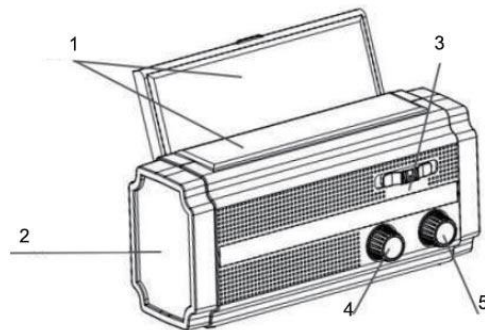


## Contents

- Radio operation
- SOS alarm
- Flashlight
- Reading lamp
- Charge & discharge function
- Battery protection
- 4 power methods
- Power indicator
- Kind reminder
- Specification
- Warranty
- Packing list

## Radio operation

- Turn the "volume" dial clockwise to power on the radio and adjust volume
- Select FM/AM with radio band switch
- Extend the antenna to get better signal reception, especially listening to the FM broad-casts
- Turn Tuner Dial to select station. Green tune indicator turns on when the station selected is fully engaged
- Turn the "volume" dial to the OFF position and the radio will turn off



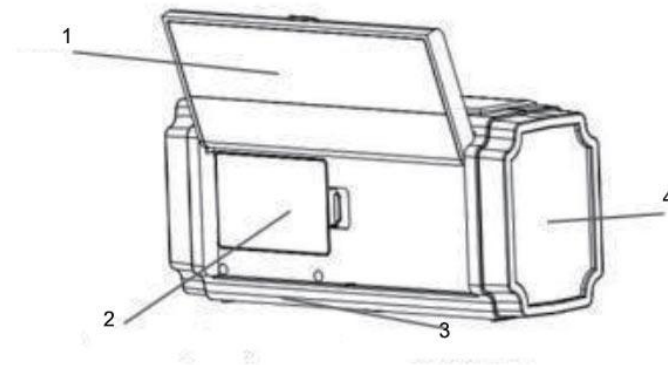
1. Solar panel
2. Far and dipped beam
3. Band switch
4. Volume dial
5. Tuner dial

## Flashlight

The first press on the flashlight button, the far beam lights up. The second press on the flashlight button, the dipped beam lights up. The third press with both a far and dipped beam lights up. The fourth press with both lights off.

## Reading lamp

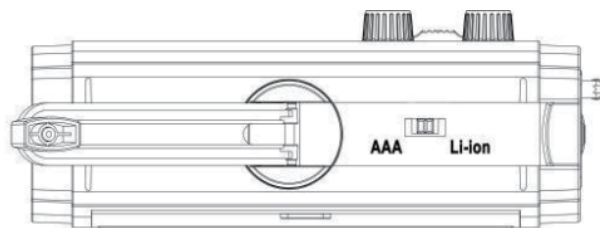
Open the solar panel, turn on the reading light button, and the reading lamp lights up. Close the solar panel, press the button again, the reading light goes out.



1. Reading lamp
2. AA battery compartment
3. Power switch
4. Flashlight

## AAA/Li-ion switch

In the bottom of the hand crank rocker, there is a battery switch, to choose AAA or Li-ion power.



## Charge & discharge function

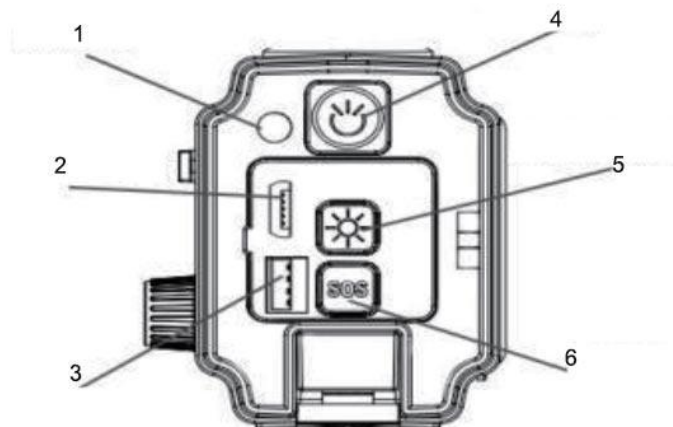
- The waterproof cover on the side of this product has a USB output port and a USB input port.
- Connect the USB device to the USB output port of the unit via USB cable to power the USB device. When the device is used as a power bank (discharge), the power indicator lights will diminish.

### Note:

1. If you need to charge your mobile phone, you can choose the corresponding cable and set the "switch apparatus for two power supplies" from AAA to Li-ion battery.
2. If you can't charge when connected to your phone, please disconnect the USB cable and plug in the data cable again to activate the power output.

## SOS alarm

Press the SOS button, the device will activate a loud siren and a flash beam. Press the SOS button again to turn it off.



1. Antenna
2. USB input
3. USB output
4. Flashlight button
5. Reading light button
6. SOS button

## Antenna

There is a stretchable antenna on the right side of the radio. When listening to FM/AM channels, it is recommended to stretch the antenna out to get a better signal.

## 3 power methods

### 1. USB charging

- Connect the supplied USB cable to the input port on the right side of the unit to charge the built-in lithium battery. Meanwhile, 4 blue power indicator lights will light up in sequence.

**Note:** Please have the radio charged at least once every three months.

### 2. Hand crank

- The radio can also be charged by turning the handle at the bottom of the device and activating the dynamo.
- The handle can be turned either clockwise or counter-clockwise. Spin the handle for 3 minutes at the speed of 120 rpm. It can be used for beam illumination for 4 minutes or radio for 15 minutes.

**Note:** The hand-cranked charging function is recommended to be used in emergency situations. Generally, it is recommended to charge the lithium battery via the USB charging cable.

### 3. Solar power

- Expose the solar panel in clear sunlight to let it charge as efficiently as possible.
- The red power indicator lights will light up when the radio receives enough sunlight to start charging up.
- It is mostly used for maintaining the battery, to prolong the battery life.

## Power indicator

This unit has 4 power indicators (25%, 50%, 75%, 100%) lights to show the power capacity. The indicator light stays on when charging and discharging.

## Specifications

- Frequency range - AM: 520-1710kHz / FM: 87-108mHz
- Dimension - 17x8x6cm
- Weight - 390g
- Power source - 5000mAh, 3.7V
- Solar power - 5V/1.3W
- Hand crank - 5V/1.5W
- USB input - DC 5V/1.5A
- USB output - DC 5V/1A
- LED flashlight - Far beam: 600LUX, Dipped beam: 150LUX, Mixed beam: 650LUX
- After fully charged, the device supports:
  - Radio: 80h
  - LED lighting: 20h
  - Reading lamp: 6h
  - Radio & LED lighting: 15h
  - Radio & reading lamp: 5h

**Note:** Due to the difference in use environment. It is normal that the actual usage time of the radio may be a little differ from the testing report data.

### Kind reminder

- For the first use or when the unit idles over 60 days, please hand crank for 1 minute to activate the internal battery.
- The device shall not be exposed to dripping or splashing, and objects filled with liquids should not be placed on the device.
- Please do not over discharge the unit, so as not to reduce the internal battery life, or even damage the battery.
- Avoid flashlight light directly into the eyes, it may hurt the eyes.