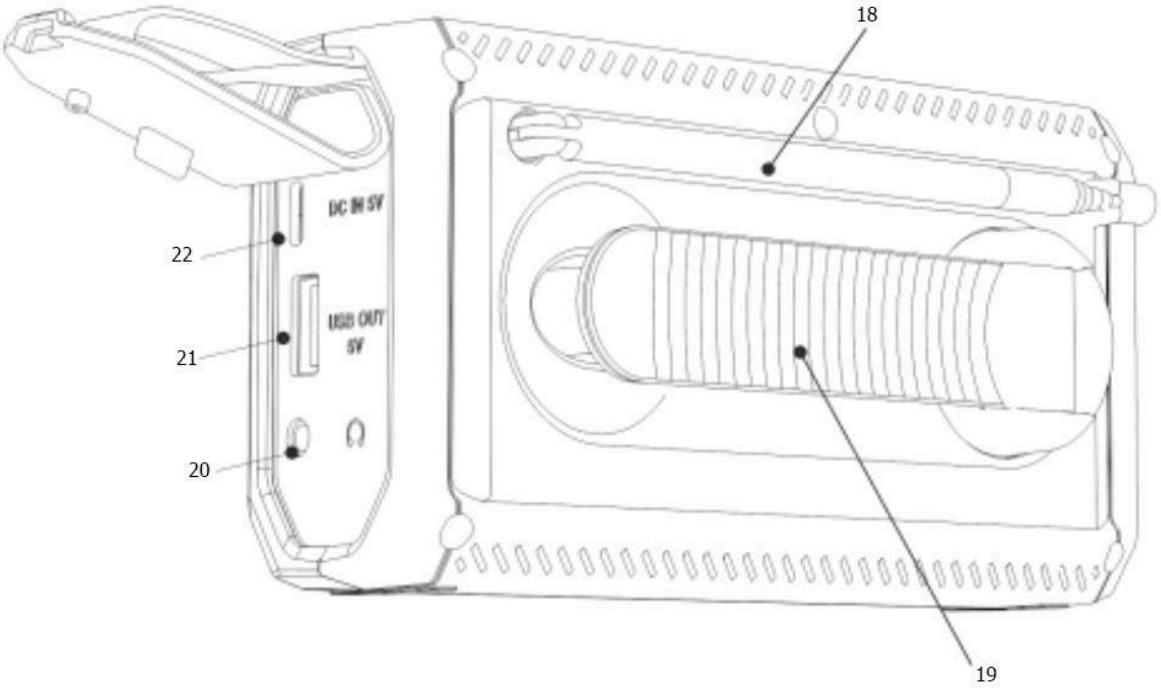
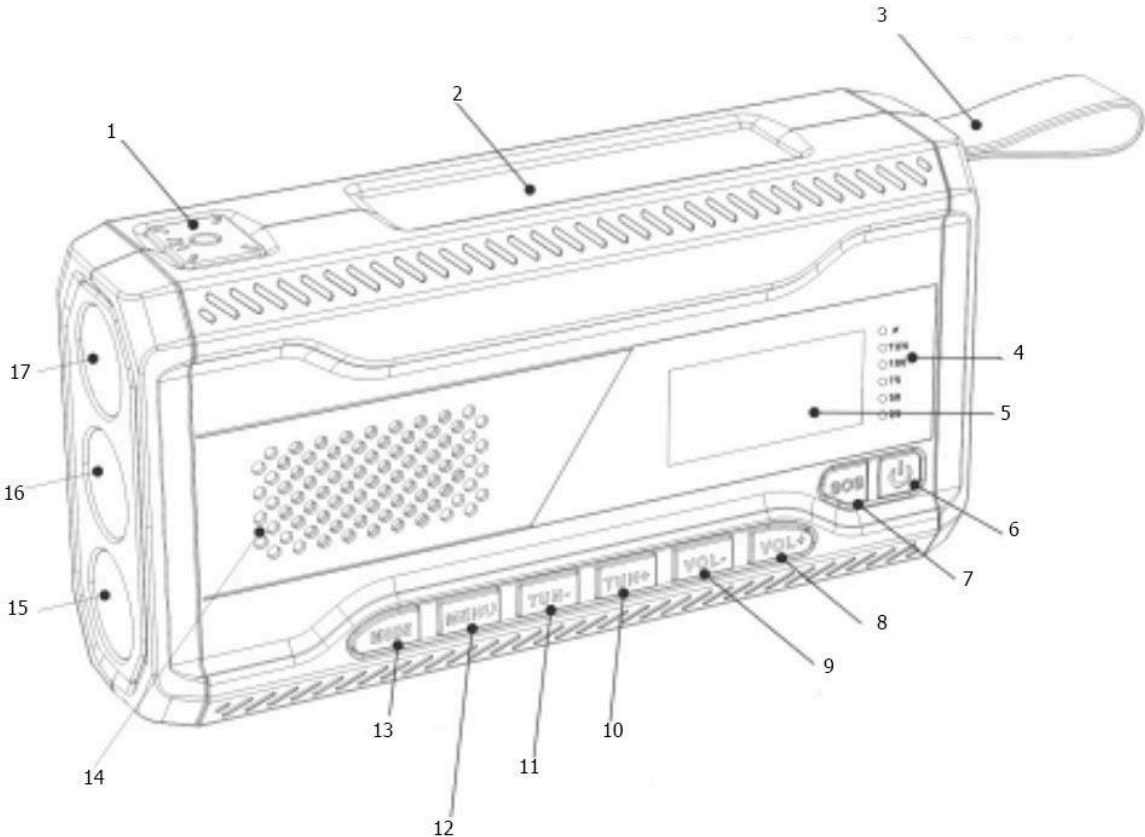


# PORTABLE SOLAR HAND CRANK EMERGENCY RADIO WR-6D



Product overview



1. Flash button
2. Solar panel
3. Lanyard
4. Indicator light
5. LCD screen
6. Power On/off
7. SOS button
8. Volume up/Enter
9. Volume down
10. Tuning up/preset store
11. Tuning down/preset recall
12. Menu/auto scan
13. Mode select
14. Speaker
15. Low beam
16. High beam/SOS light
17. Low beam
18. Antenna
19. Hand crank
20. Earphone jack
21. 5V output
22. 5V input

### **DAB radio operation**

- Press and hold the [ON/OFF] button for 3 seconds to turn on the radio and enter standby mode; the screen will display the date and clock.
- Press the [ON/OFF] button again to turn on the radio.
- Press the [MODE] button to select DAB mode.
- In DAB mode, long press the [MENU] button to scan all DAB stations. Short press [TUN+] or [TUN-] to change the station.
- Long press [TUN+] to store the playing station in the preset list. Press [TUN+/TUN-] to select the address. There are 30 preset addresses to choose from; press [VOL+] to save your selection.
- Long press [TUN-] to recall the preset stations. Press [TUN+/TUN-] to select the station name, then press [VOL+] to confirm your choice.
- Press [MENU] to enter the DAB menu settings.

## **FM radio operation**

- Press the [ MODE ] button to select FM mode.
- In FM mode, long press the [ MENU ] button to scan all FM stations and store them in the preset list. Only the first 30 stations will be saved. If you want to save other stations, you need to manually replace the ones you don't like.
- Long press [TUN-] to recall the preset stations. Press [TUN+/TUN-] to select. Press [ VOL+ ] to confirm.
- Press [TUN+/TUN-] to manually tune by 0.05MHz steps.
- Long press [TUN+] to store the playing station in the preset list. Press [TUN+/TUN-] to select the address. Press [ VOL+ ] to add or replace.
- Press [ MENU ] to enter the menu settings.

## **Wireless(BT) streaming play operation**

- Press the [ MODE ] button to select BT mode.
- Use your smartphone's Bluetooth to search for “WR-6” and pair it.
- Press [TUN+/TUN-] to change the songs.

## **Menu setup**

- In menu settings, you can set date/time, brightness, sleep time, and OSD language.
- Press [ VOL+ ] to select options.
- The date/time will automatically update when the DAB signal is in service.

## **Indicator light**

- Indicators (from top to bottom): Charging indicator, signal indicator, battery power indicator (100%-25%).
- Charging Indicator: The charging indicator light will flash red when the crank generator is charging the internal battery. The light changes with the charging current.
- Battery Power Indicator: The light flashes blue when charging or discharging. When the battery level exceeds 25%, the first blue light (25% position) changes from flashing to constant blue. The second light (50% position) then flashes blue, and so on until fully charged. When fully charged and the type-C USB cable is removed, the light turns blue for 30 seconds, then turns off.

## Flashlight

The flashlight has one high beam and two low beams. When the radio is working, press [light] button once to turn on high beam, press again turn on low beam, once more press turn on all flashlight, another press to turn off the flashlight.

Note: To use the flashlight when the radio is OFF, press and hold the [light] button for 3 seconds to activate the flashlight.

## Charge external device

Insert the USB cable into the USB port on the side of the radio and connect to the other devices. The radio will go into charge mode and help to charge your device.

Note: This feature is only for charging the USB devices during emergency or outdoors, don't use it as a normal power bank. When the radio is fully charged, it can support 2A charger for most devices.

## Power the radio

Before powering the radio, make sure you read the safety instructions.

### A. By USB Power Source

- To charge the radio, insert the supplied USB cable into a USB power source, and plug the Type-C connector into the input port on the side of the radio.
- The battery power indicator lights will flash blue as the battery charges. When fully charged, pull out the Type-C USB cable; the power indicator light will turn blue for 30 seconds, then turn off, which typically takes 2-3 hours.
- It's advised to turn off the radio while charging.

### B. Hand Crank Dynamo\*\*

- The radio can also be charged by turning the handle on the back of the device to activate the dynamo.
- The handle can be turned either clockwise or counterclockwise. The charging indicator light will illuminate while the handle is being turned.
- Spin the handle for 3-5 minutes at a speed of 130-150 PPM when using it for the first time. Two minutes of turning provide 10 minutes of radio play or 30 minutes of light.

### C. Solar Powered

- The radio can be charged by the solar panel on the top of the device. Place the device in clear sunlight for efficient charging.
- The charging effect depends on the strength of the sun's rays; the stronger the light, the better the effect.
- Note: It is difficult to fully charge the unit with the solar panel, which is mostly used for maintaining the battery.

### **Earphone jack**

You can insert the 3.5mm earphone jack to enjoy leisure time listening to the radio.

### **SOS alarm**

If you press and hold the SOS button at this time, the alarm sound will still be emitted from the speaker. At the same time, the flashlight flashes SOS Morse code signals

### **Safety instructions**

- Initial Activation: When the radio is first used or has been idle for more than 60 days, place it under strong sunlight (>86000 LUX) for 30 minutes or hand crank for one minute to activate the battery.
- Battery Care: Avoid over-discharging the battery to prevent reducing its lifespan or damaging it.
- Cleaning: Use a soft, damp cloth to clean the radio's surface. Do not use alcohol or other corrosive liquids.
- Water Resistance: The unit is not waterproof. It is only resistant to fog or raindrops. Do not submerge in water.