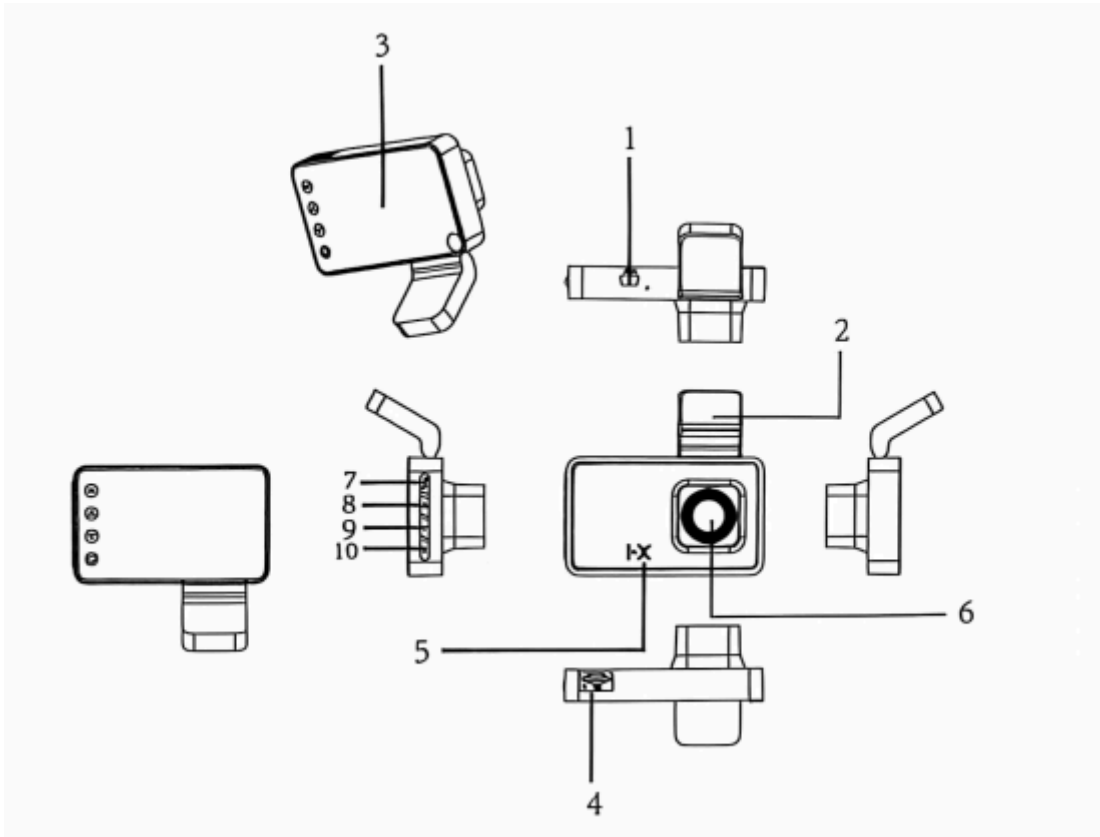


Q3 3-Inch Car Dash Camera - 1080P Full HD Single Recording



Product Overview



1. USB port
2. Bracket
3. LCD
4. TF card slot
5. Loudspeaker
6. Lens
7. Confirm/Start/Pause
8. Up
9. Down
10. Mode/menu

User Instructions

Charging method:

1. Connect the car charger
2. Connect to a computer using the USB cable

While charging, the red indicator light will turn on. Once the device is fully charged, the red indicator light will turn off.

Note: When using a lithium battery, you need to press the power button to start or stop recording DVR videos.

3. Connect the 12V/24V car charger.

Once connected and the device is powered on, the DVR will automatically start recording. When the DVR is turned off, it will automatically save the current footage.

Note: Use only a 5V car charger for charging.

Function Introduction

The DVR supports video, photo, and playback modes. You can automatically adjust to your desired mode.

A) Video Mode

- After pressing the power switch or connecting the car charger, the DVR will automatically enter recording mode and start recording.

Note: Please insert an SD/MMC card before using the DVR.

- The red indicator light will flash when recording is active.
- SD/MMC video files are stored on the inserted SD/MMC card. Press the button to stop recording, and the red indicator light will turn off.

B) Photograph Mode

Power on the device and press the button to enter camera mode. Press the camera button to take pictures.

C) Play Mode

Power on the device and press the mode button twice to enter play mode. Use the up/down buttons to select the files you want to view. Press the "Enter" button to open the selected directory. Press the button again to play or pause the selected file.

D) Delete Function

While in play mode, press the menu button to enter the delete interface. Press the button again to access the delete menu (you can choose from "solo," "whole," or "selected"). Use the up/down buttons to choose an option. Press the REC button to confirm deletion. You can also choose to display thumbnails, preview playback, or adjust volume size, then press the REC button to confirm.

The Menu Settings

Press the menu button to enter the settings interface. Use the up/down buttons to select an option, then press the REC button to enter that specific setting. After selecting a parameter, press the REC button again to exit.

1. Time Settings: Set the date and time. If "Closing" is selected, the video will no longer display the time.
2. Motion Detection: Turn on or off. When "Open" is selected and there is movement in front of the DVR, it will automatically start recording. The recording duration depends on the time setting.
3. Recording: Turn recording on or off. If "Close" is selected, the DVR will not record.
 - Set the video recording duration: 1/2/3/4/5/10/15 minutes.
4. Formatting: Choose "Execute" to format or "Cancel" to skip.
5. Language: Select the language of the interface. Options include English, Simplified Chinese, Traditional Chinese, Russian, Japanese, etc. (13 languages available).
6. Reset System: Choose "Execute" to restore the DVR to factory settings or "Cancel" to keep current settings.
7. Fluorescent Lamp Frequency: Set the frequency to either 50Hz or 60Hz.
8. Date and Time Settings: Press the REC button to enter the time settings interface. Use the UP/DOWN buttons to set the date and time. Press REC again to confirm and move to the next setting. Once all settings are made, press REC to exit.
9. Infrared Lamp (Automatic/Close): Choose whether the infrared lamp operates automatically or is turned off.
10. Infrared Lamp: In the boot state, press the button to toggle infrared night vision on or off.

Downloading the File

1. Connect the DVR to a computer using a USB cable.
2. Download the files from the DCIM/100DSCIM folder.

Important Notes:

1. Before recording, please insert an SD/MMC card.
2. The DVR has a cyclic video recording feature. When the memory card is full, the DVR will automatically overwrite the oldest files with new recordings.
3. When the battery is low, the DVR screen will display "Electricity Shortage."

Operation Tips:

If the DVR does not function correctly, try the following steps: unplug the power, turn off the device, and press the reset button to restart it.